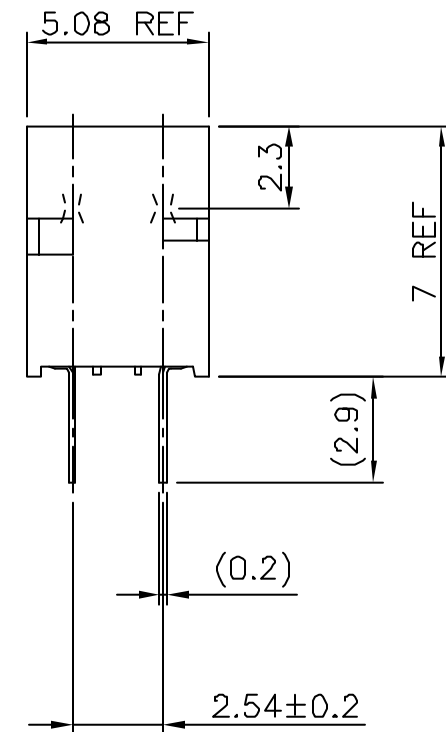
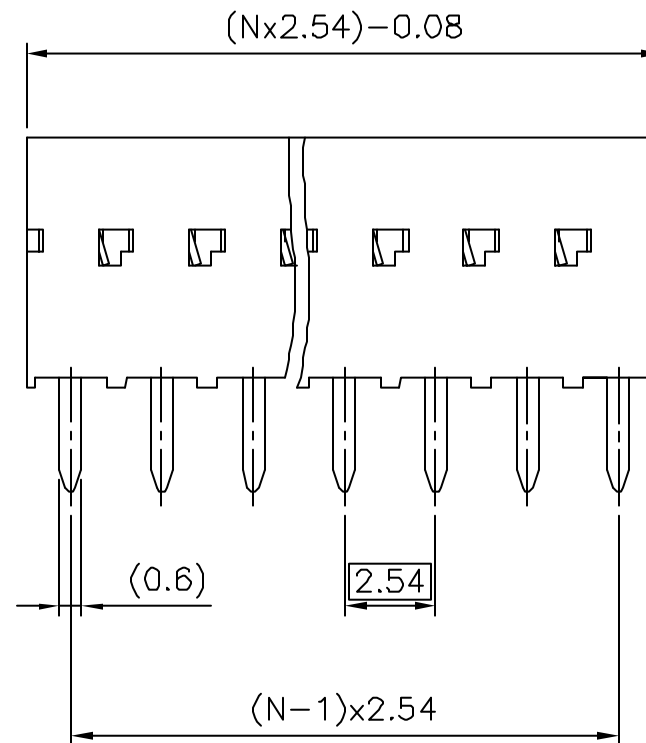
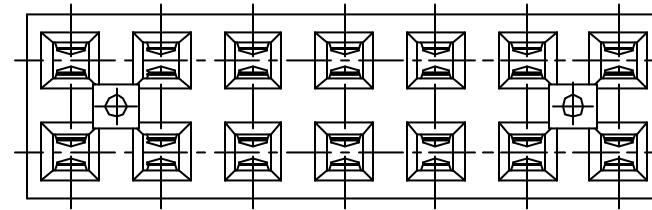


PRODUCT NUMBER
76342-YXXXLF

WHEN NEEDED, SUFFIX LETTER "LF"
INDICATES THE PRODUCT IS RoHS
COMPATIBLE, SEE NOTE 10
OPTIONAL LETTER
H: HIGH TEMPERATURE PRODUCT.
C: PACKAGED IN SHORT TUBE.
NUMBER OF POSITIONS PER ROW: 02 TO 50.
PLATING CODE
3= 0.76µm GOLD ON CONTACT AREA.
3.81µm TIN-LEAD ON TAIL.
4= 5µm TIN-LEAD ON CONTACT AREA.
3.81µm TIN-LEAD ON TAIL.
WHEN SUFFIX "LF" IS REQUIRED, 2µm MIN MATTE
TIN OVER 1.27 MIN Ni IS SUPPLIED INSTEAD OF SnPb.



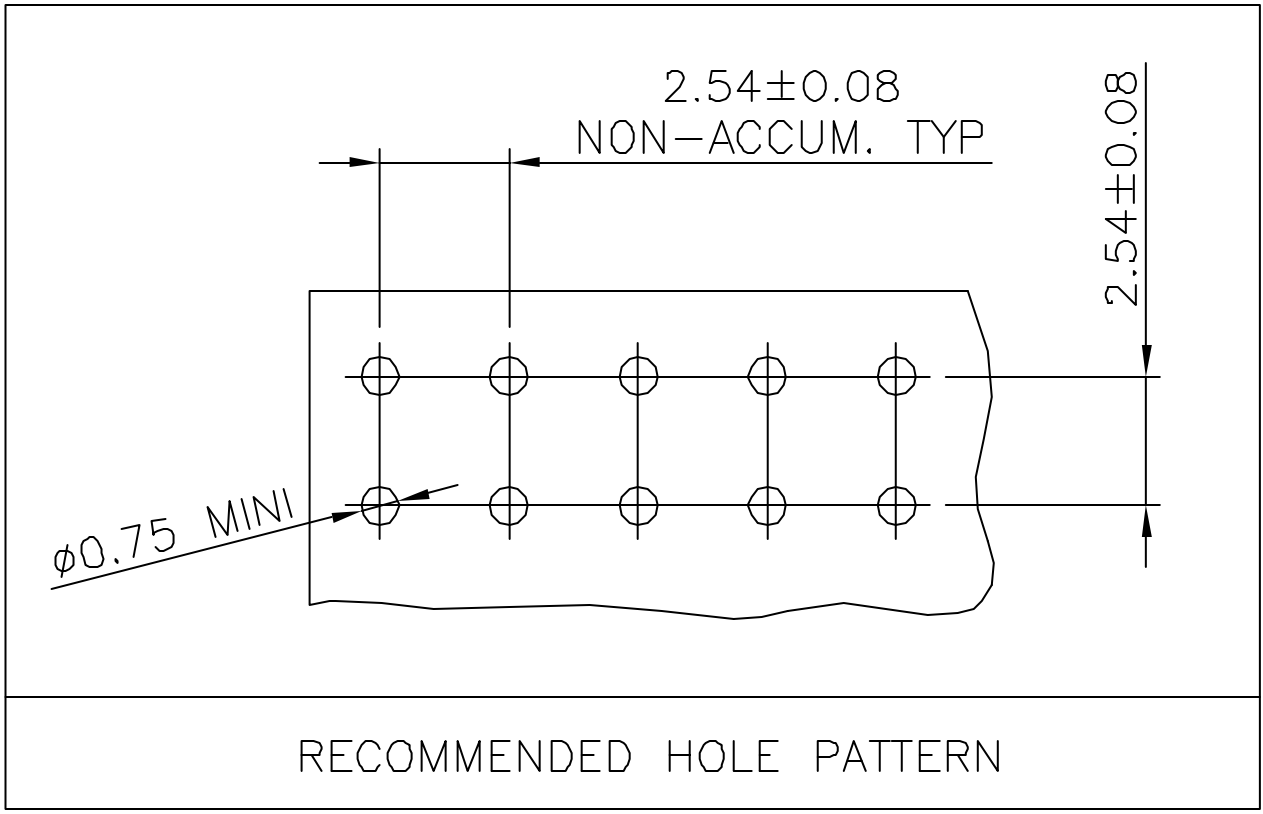
NOTES:

- 1 - HOUSING MAT'L: THERMOPLASTIC GLASS FILLED
FLAME RETARDANT PER UL 94 V-0
LOW TEMPERATURE: COLOR BLUE
HIGH TEMPERATURE: COLOR GREY.
- 2 - TERMINAL MATERIAL: PHOSPHOR BRONZE.
- 3 - 2 UP TO 4 POSITIONS PRODUCT PACKED IN PLASTIC BOX.
5 UP TO 50 POSITIONS PRODUCT PACKED IN TUBE.
- 4 - TO DETERMINE DIMENSIONS:
N = NUMBER OF POSITIONS PER ROW
EXAMPLE: 8 POS: $(N \times 2.54) - 0.08 = 20.24$ mm
- 5 - RoHS COMPATIBLE PRODUCT SPECIFICATIONS
 - a - PLATING:
- "LF" MEANS THE PRODUCT IS LEAD-FREE,
2µm MINIMUM MATTE TIN OVER 1.27µm
MINIMUM NICKEL UNDERPLATE.
 - b - MANUFACTURING PROCESS COMPATIBILITY
- THE HOUSING WILL WITHSTAND EXPOSURE TO
260°C ±5°C SOLDER BATH TEMPERATURE FOR
5 SECONDS IN A WAVE SOLDER APPLICATION
WITH A 1.6mm MIN THICK CIRCUIT BOARD.
 - c - LABELING:
- MEETS PACKAGING SPECS AS PER GS-14-920
 - d - LEGAL STATEMENT: SEE GS-22-008

| | | | | | | | | | |
|--------------------------------|----------|-----------------------|----------|---------------------------------------|--------|------------------|--|-------------------------------------|--|
| mat'l. code SEE NOTES 1 & 2 | | surface ISO 1302 ✓ | | tolerance ISO 406 ISO 1101 | | projection mm | | product family DUBOX | |
| ltr | ecn no | dr | date | tolerances unless otherwise specified | | mm | | title BtB RECEPT. VERT DR TMT | |
| S | F10342 | DLE | 01.06.12 | angles | Linear | ±0.3 | | scale 5:1 | |
| T | F04-0347 | DLE | 04.09.27 | ±2' | | FCJ | | dwg no 76342 | |
| U | F06-0137 | DLE | 06.02.27 | D LEGRAND | | 04.09.27 | | sheet 1 of 2 | |
| V | F06-0204 | DLE | 06.06.20 | P NIZZI | | 04.09.27 | | size A3 | |
| P | F90376 | DLE | 99.06.21 | D LEGRAND | | 04.09.27 | | type CUSTOMER Drawing | |
| R | F10110 | GCO | 01.01.16 | P NZ | | 04.09.27 | | | |
| sheet index | revision | V | B | | | | | | |
| | sheet | 1 | 2 | | | | | | |

A

A



B

B

C

C

FCI
FCIconnect.com

Copyright FCI

| | | | | | | | | | |
|----------------------------|----------------|---------------------------------------------------------|----------|---------------------------------------|-----------|------------------------------------------------------|--|---------------------------------------------|--|
| mat'l. code SEE SHEET 1 | | surface ISO 1302 <input checked="" type="checkbox"/> | | tolerance ISO 406 ISO 1101 | | projection | | product family DUBOX | |
| Ltr | ecn no | dr | date | tolerances unless otherwise specified | | mm | | title BtB RECEPT. VERT DR TMT | |
| A | F04-0347 | DLE | 04.09.27 | angles | ±0.3 | | | | |
| B | F06-0204 | DLE | 06.06.20 | linear | | | | | |
| | | | | ±2' | scale 5:1 | | | | |
| | | | dr | D LEGRAND | 04.09.27 | dwg no 76342 sheet 2 of 2 size A4 | | | |
| | | | engr | P NIZZI | 04.09.27 | | | | |
| | | | chr | D LE | 04.09.27 | | | | |
| | | | appd | P NZ | 04.09.27 | | | | |
| sheet index | revision sheet | | | | | | | type CUSTOMER Drawing | |

D

D